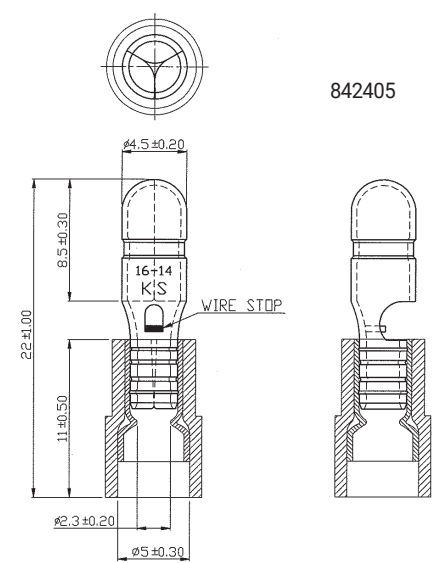
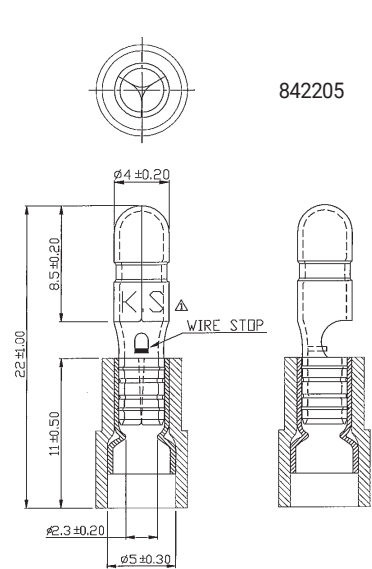
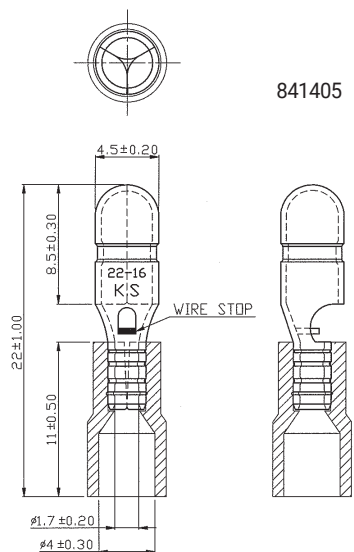
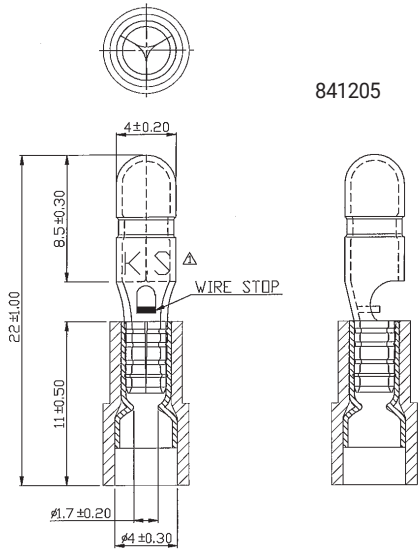



DEL PN	DESCRIPTION	GAUGE SIZE	BULLET SIZE	COLOR	DOUBLE CRIMP	AMPERAGE
841205	NYLON BULLET CONNECTOR, MALE	22-18 Ga	156"	RED	WITH COPPER SLEEVE ON BARREL	3-10 AMPS
841405	NYLON BULLET CONNECTOR, MALE	22-18 Ga	180"	RED		3-10 AMPS
842205	NYLON BULLET CONNECTOR, MALE	16-14 Ga	156"	BLUE	WITH COPPER SLEEVE ON BARREL	10-15 AMPS
842405	NYLON BULLET CONNECTOR, MALE	16-14 Ga	180"	BLUE	WITH COPPER SLEEVE ON BARREL	10-15 AMPS



	PARTIALLY INSULATED BULLET CONNECTORS
TERMINAL MATERIAL	BRASS
TERMINAL FINISH	TIN PLATED
TERMINAL THICKNESS	0.40MM
INSULATION MATERIAL	NYLON
VOLTAGE	600V
TEMPERATURE RATING	105°C 600 VOLTS
OCTOBER 2024	
DIAGRAM NOT TO SCALE	